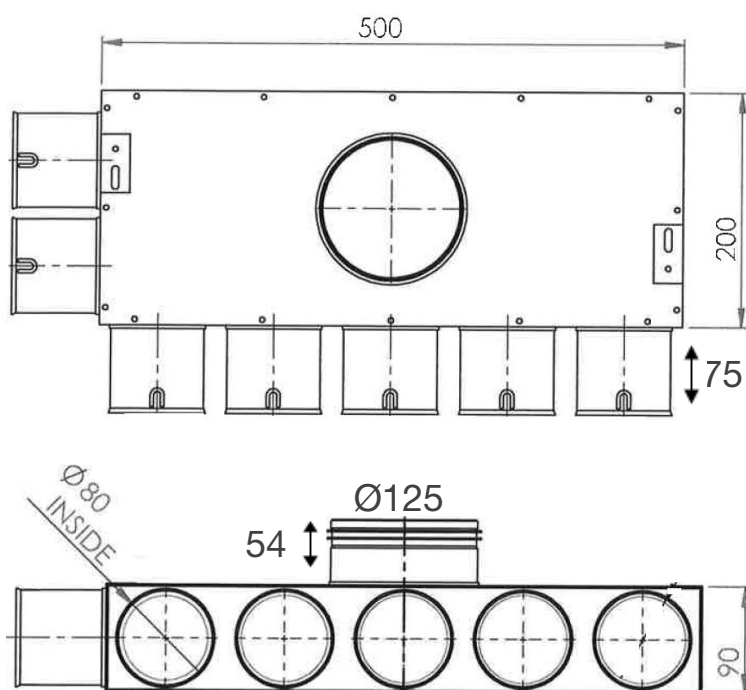
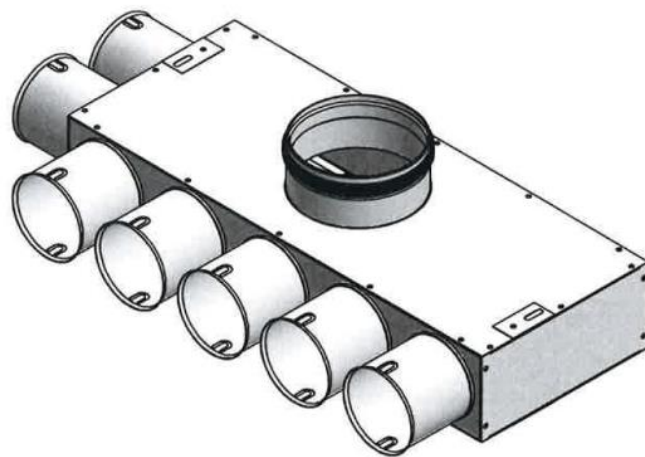


# TriaAir fordelerboks

Ø125 nippel – 7 muffler Ø75 - 5/2 siden

Varenr. MC75B07125



## Flowdiagram

MC75B07125	
Flow Rate [m <sup>3</sup> /h]	Resistance [Pa]
50	1,3
80	1,8
120	2,5
180	5

