

TriaAir Manuelt spjæld BVCD-R

Varenr. TWMASB*



Material

While product casing is manufactured from galvanized sheet, flap is from galvanized DKP sheet, as for. Also, flap handle application from PVC material is available.

Usage

They are used for providing the flow rate adjustment in round air ducts. Flow rate adjustment is made according to OPEN - CLOSED and interval values that are written on flap handle. Cordon is formed on both sides of the damper in order to use the product in flexible ducts. Also, gasket is used for impermeability.

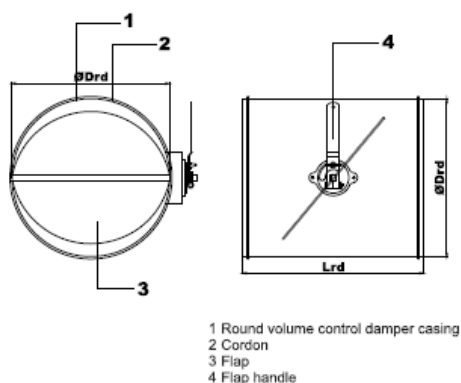
Coating

- Electrostatic powder coating
- Depending on demand, all the colors in other RAL codes are provided too.

Installation

Installation to round air duct with screw.

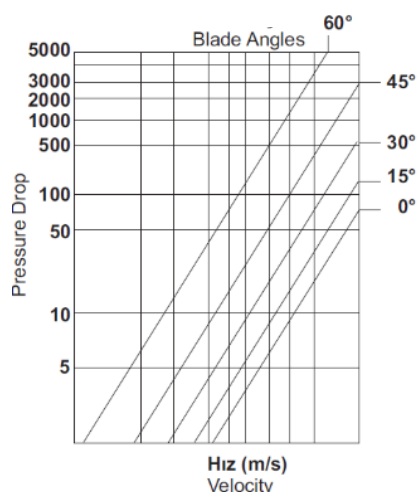
Technical Details



Standard Dimensions Table

Size	ØDrd (mm)	Lrd (mm)
80	80	200
100	100	200
125	125	200
160	160	210
180	180	230
200	203	250
225	229	275
250	254	300
280	280	330
300	305	350
315	315	365
350	356	400
400	406	450

Selection Graph



ØDrd (mm): Round volume control damper neck diameter

Lrd (mm): Round volume control damper length