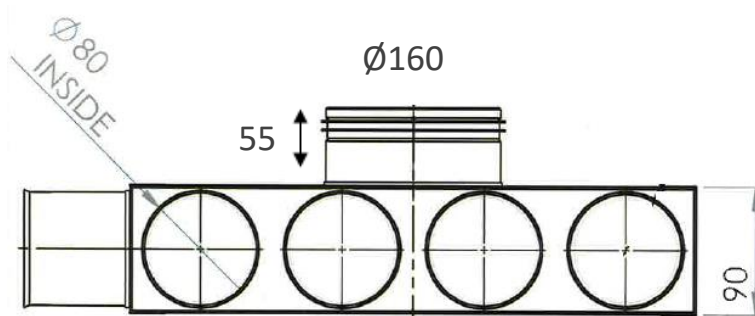
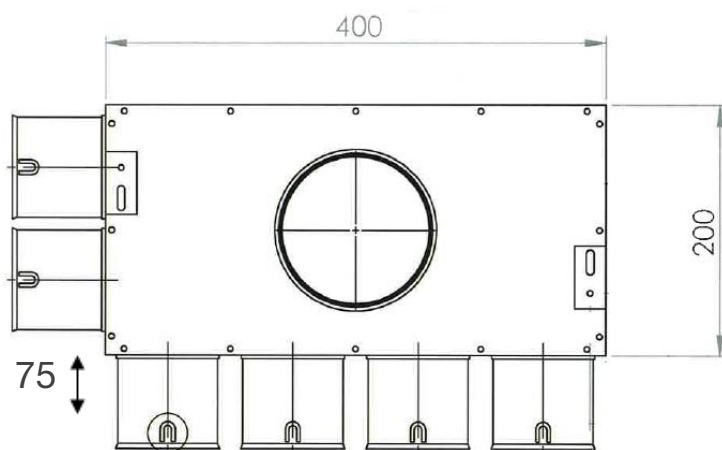


TriaAir fordelerboks

Ø160 nippel – 6 muffler Ø75 - 4/2 siden

Varenr. MC75B06160-5



Flowdiagram

MC75B06160-5	
Flow Rate [m ³ /h]	Resistance [Pa]
40	1
70	1,5
100	2,3
130	3
160	4,4

