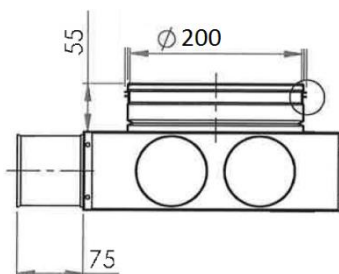
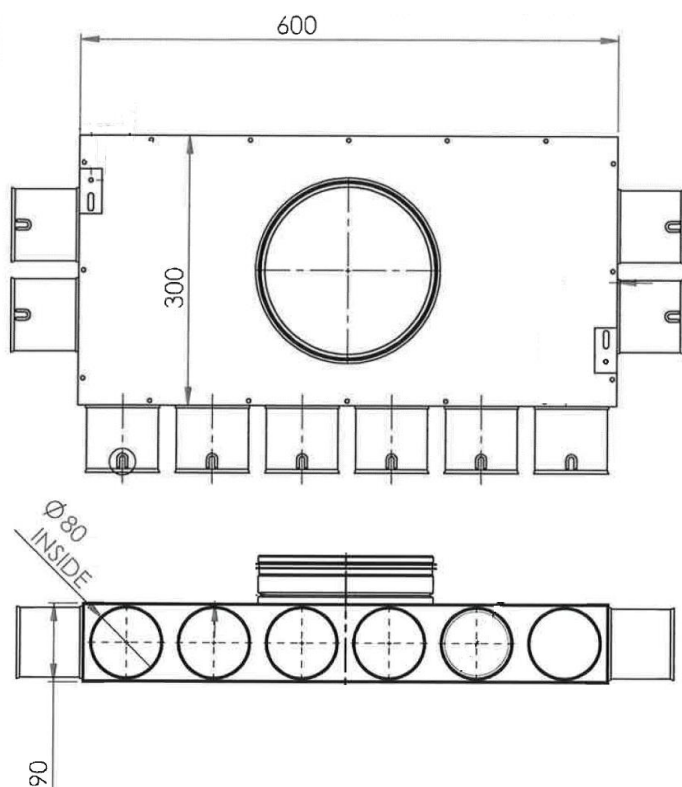
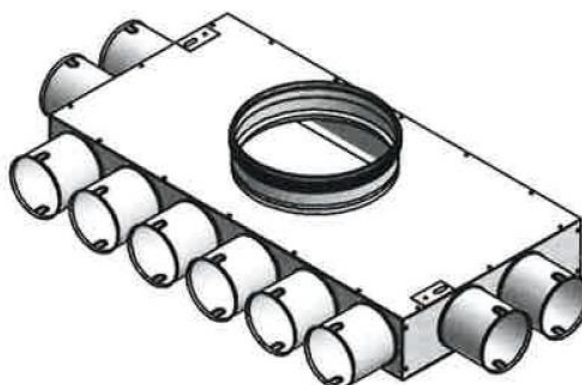


TriaAir fordelerboks

Ø200 nippel – 10 muffler Ø75

Varenr. MC75B10200



Flowdiagram

MC75B10200	
Flow Rate [m ³ /h]	Resistance [Pa]
90	1,7
110	2
180	3
250	4,2
320	6

