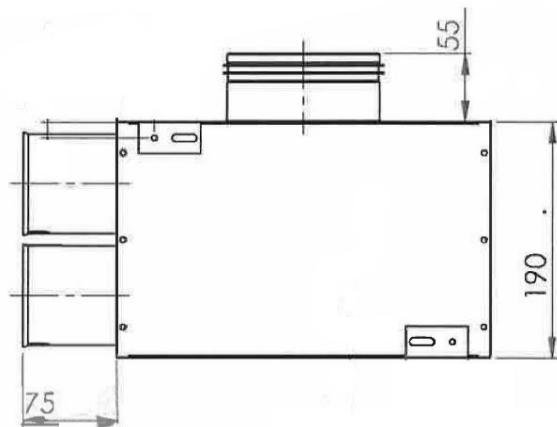
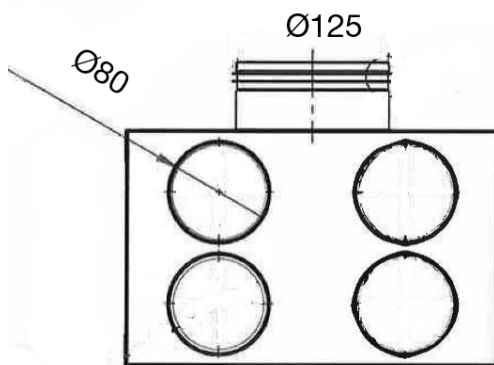
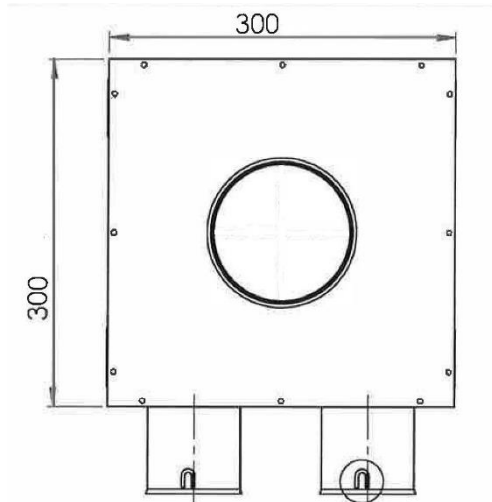
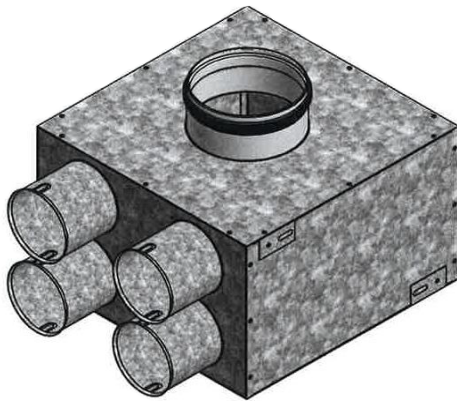


TriaAir fordelerboks

Ø125 nippel – 4 muffler Ø75 L300

Varenr. MC75B04125-1



Flowdiagram

MC75B04125-1	
Flow Rate [m ³ /h]	Resistance [Pa]
40	1
55	1,5
75	2,5
110	5,2

